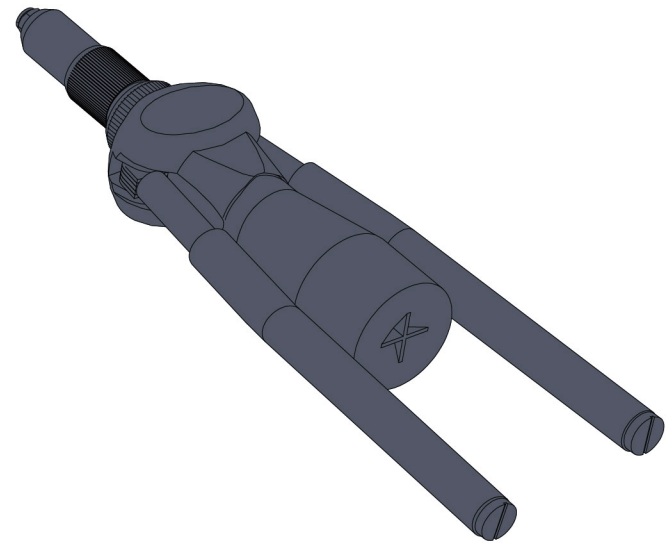


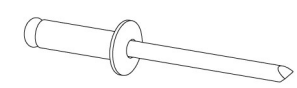
EL-64-R



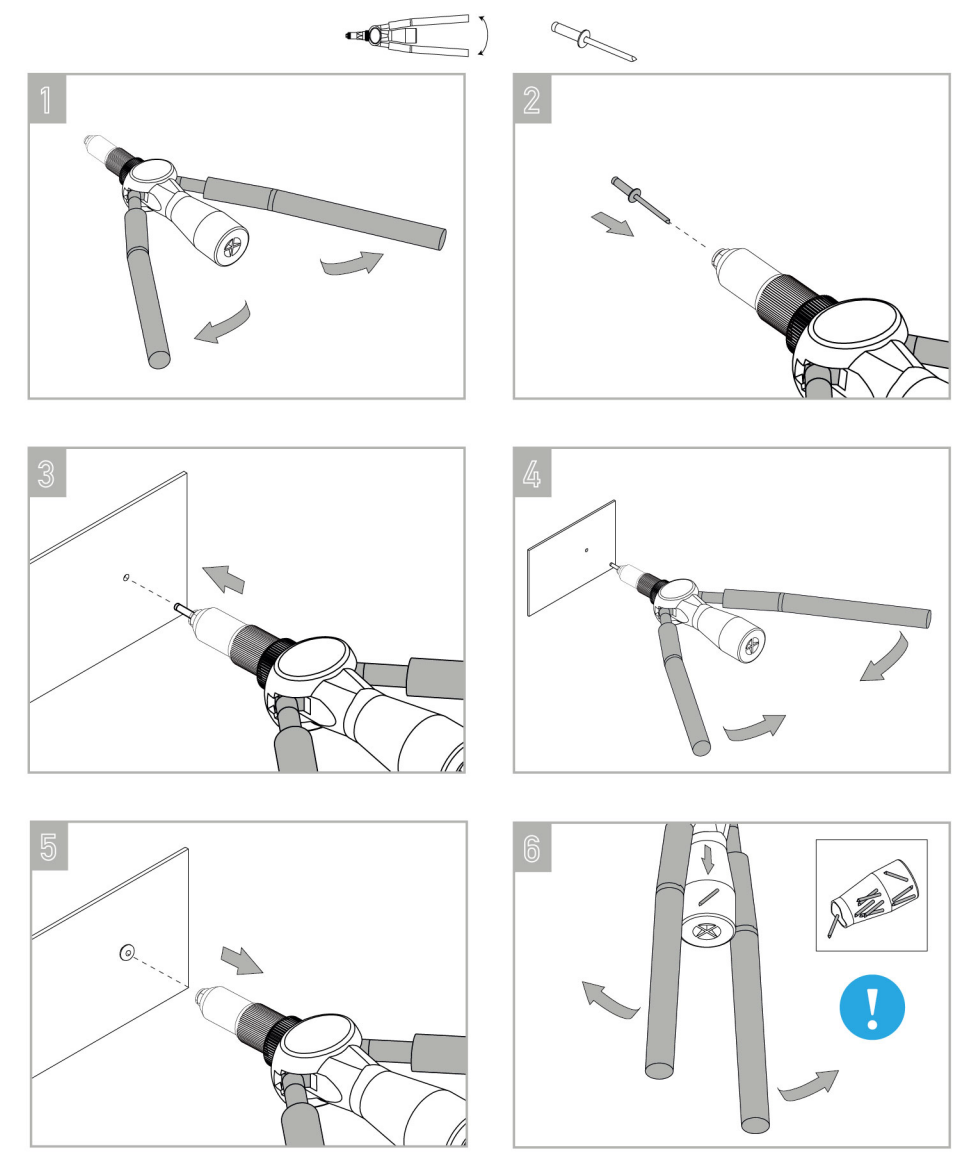
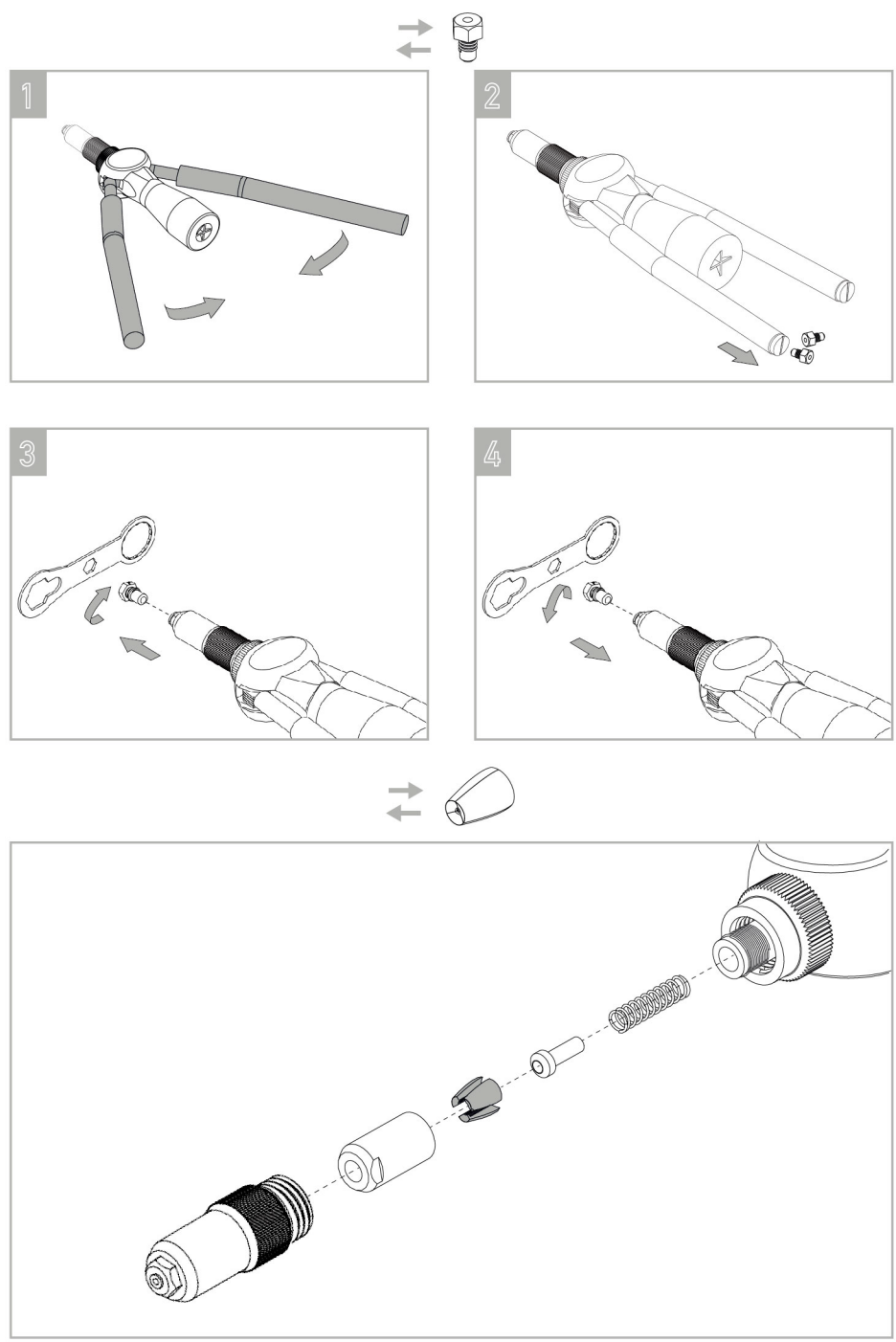
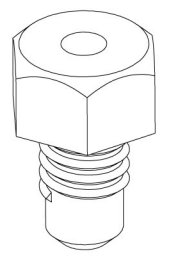
EL-64-R

No.	Code	Description	Qty/ tool	No.	Code	Description	Qty/ tool
1	P00022-03	Nosepiece 6.4	1	13	Z21154H00	Body assembly	1
2	P00001-03	Front sleeve	1	14	Z21152H00	Lever assembly	2
3	L23213H00	Adjust nut	1	15	F60537H00	Hex counter nut	1
4	P00015-03	Clamping sleeve	1	16	Z20324H00	Mandrel collector	1
5	Z40102H00	3-Jaws set	1	17	L23211H00	Grips	2
6	P00017-02	Push pin	1	18	P00020-03	Nosepiece B(3.2)	1
7	P00023-02	Nosepiece spring	1	19	P00021-03	Nosepiece C(4.0)	1
8	L23215H00	Body screw cover	1	20	P00018-03	Nosepiece D(4.8)	1
9	Z21150H00	Spring Sleeve assembly	1	21	P00019-03	Nosepiece 6.0	1
10	L23203H00	Main pusher pin	1	22	L23212H00	Collector cover	2
11	B01587H00	Logo plate	2	23	L23214H04	Wrench	1
12	P00006-02	Body pin	2	24	F60550H00	Spring washe	1

Capacity



Ø3.2~Ø6.4mm
Ø1/8"~Ø1/4"



*In shadow are quick-wear parts