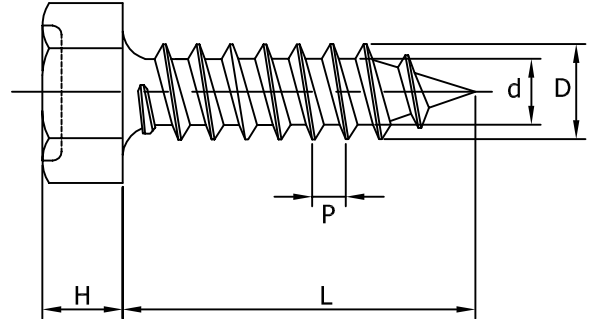
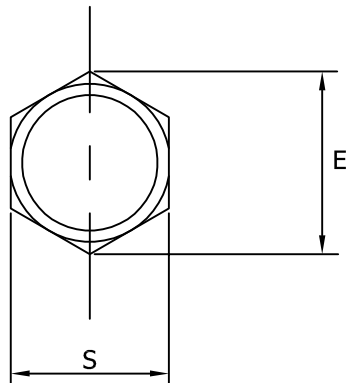


DIN 7976, INDENTED HEXAGON HEAD,
 THREAD TYPE AB, STEEL ZINC PLATED WHITE BLUE 4-6u
 SHARP SHAPED HEAD

TAPPING
 SCREW



diámetro	4.8	ISO			ISO		
PITCH (P)	1.6	1478	MAJOR DIA. (D)	4.62-4.80	1478		
HEAD HEIGHT (H)	3.30-3.60	1479	MINOR DIA. (d)	3.43-3.58	1478		
ACROSS FLATS (S)	7.88-8.00	1479	POINT ANGLE	45+ \pm 5°	1478		
ACROSS CORNERS (E)	min 8.71	1479	THREAD ANGLE	60+ \pm 5°	1478		
STEEL NO. MATERIAL	C1022		ZINC PLATED WHITE/BLUE	4-6 μ m	4042		

TOLERANCE ON LENGTH

L=9.9-25 \pm 0.8mm
 L=32-50 \pm 1.3mm

customer Nr.: production Nr.: Tolerances according to ISO 4759-1, all dimensions in mm, Acceptance inspection according to ISO 3269

drawn M. Weyand	checked G. Kramme	approved by - date M. Goebel	Name of file 2016148600	date 2010-04-28	scale no scale
--------------------	----------------------	---------------------------------	----------------------------	--------------------	-------------------

GOEBEL GMBH

CODE 2016148600 DIN 7976

450 DRAWING Nr.:	Version REV0	paper 1/1
---------------------	-----------------	--------------